



HIGH EFFICIENCY, PERFORMANCE DRIVEN

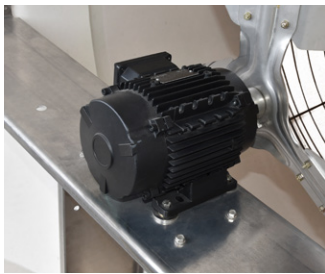
VENTILATION FANS



COMMANDER FANS

Top Performance with Variable Speed Precision

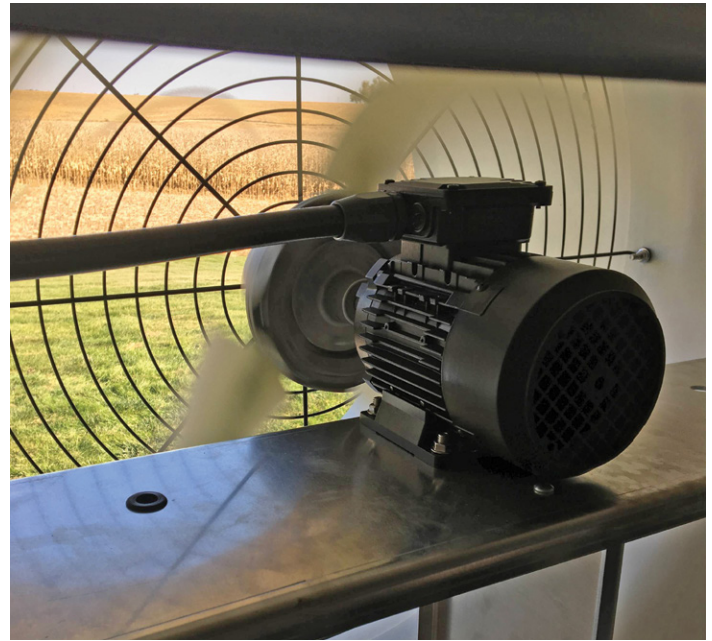
Plan your next ventilation strategy with the AP 36" or 54" Commander fans designed to provide optimal airflow with high efficiency, low maintenance direct drive control.



High Performance, permanent magnet electric motor design



Industry leading drive allows for the use of failsafe relays or backup thermostats as required.



High performance, permanent magnet motor runs cool to the touch and supplies constant torque to the propeller.

Options and features include:

- 36" and 54" models available
- Single and three phase power supplies
- Remote access through the EDGE® control system
- 0-10 volt or 10-0 volt input for speed control of the fan
- Reduces total fan energy costs
- RollSeal® offerings maintain efficiency and increase performance
- Low maintenance (No Belts, No Pulleys, No Grease)
- Optistick and Smart Phone App allow for easy parameter changes and simplified diagnostics
- Reduced wiring costs, no need for control relay to engage fan
- User defined RPM when failsafe mode is engaged by backup thermostat or relay
- High performance permanent magnet motor runs cool to the touch and supplies constant torque to the propeller
- Output on drive to monitor motor current



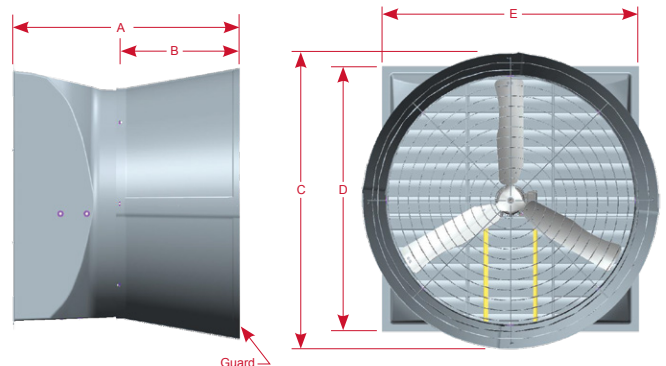
ALUMINUM MOTOR MOUNTS, STAINLESS STEEL HARDWARE AND NON-CORROSIVE PROPS



DURABLE FIBERGLASS AND POLY CONE OPTIONS

Dia.	H.P.	A	B	C	D	E	Recommended Wall Opening
36"	1.5	54.5"	26.75"	44.375"	46.75"	46.75"	44.5" x 44.5"
54"	3	57.5"	28.95"	65"	64"	62"	58" x 60.5"

54" Commander fan center to center spacing on wall with cone: 65"





**36" COMMANDER
ROLLSEAL® SHUTTER**

*230 VAC 60 Hz
Single Phase Power*
Bess Lab Test 19244

1207 RPM	AFR	0.93
Static Pressure	Airflow	Efficiency
0.00	17,880	14.38
0.05	17,330	13.39
0.10	16,810	12.53
0.15	16,250	11.75
0.20	15,670	11.01
0.25	15,090	10.43
0.30	14,440	9.90
1080 RPM	AFR	0.88
Static Pressure	Airflow	Efficiency
0.00	15,990	17.99
0.05	15,340	16.48
0.10	14,660	15.08
0.15	14,100	14.09
0.20	13,520	13.18
0.25	12,790	12.13
0.30	12,120	11.34
960 RPM	AFR	0.84
Static Pressure	Airflow	Efficiency
0.00	14,230	22.73
0.05	13,420	20.00
0.10	12,810	18.54
0.15	12,120	16.97
0.20	11,440	15.42
0.25	10,510	13.92
0.30	9,280	12.54
841 RPM	AFR	0.76
Static Pressure	Airflow	Efficiency
0.00	12,410	29.27
0.05	11,580	25.28
0.10	10,840	22.77
0.15	10,040	20.36
0.20	9,030	17.99
0.25	7,540	15.32
0.30	4,440	9.67
721 RPM	AFR	0.53
Static Pressure	Airflow	Efficiency
0.00	10,590	38.79
0.05	9,670	32.45
0.10	8,770	28.02
0.15	7,670	23.73
0.20	5,570	18.57
0.25	2,640	8.35
602 RPM	AFR	N/A
Static Pressure	Airflow	Efficiency
0.00	8,800	52.69
0.05	7,720	41.73
0.10	6,480	33.40
0.15	3,290	18.69

**36" COMMANDER
PVC SHUTTER**

*230 VAC 60 Hz
Single Phase Power*
Bess Lab Test 19243

1207 RPM	AFR	0.91
Static Pressure	Airflow	Efficiency
0.00	17,120	13.27
0.05	16,650	12.48
0.10	16,030	11.62
0.15	15,610	11.05
0.20	15,110	10.47
0.25	14,440	9.96
0.30	13,770	9.41
1080 RPM	AFR	0.88
Static Pressure	Airflow	Efficiency
0.00	15,320	16.54
0.05	14,730	15.34
0.10	14,150	14.26
0.15	13,600	13.41
0.20	12,900	12.48
0.25	12,270	11.60
0.30	11,550	10.81
960 RPM	AFR	0.82
Static Pressure	Airflow	Efficiency
0.00	13,530	20.72
0.05	12,960	19.11
0.10	12,330	17.51
0.15	11,660	16.13
0.20	10,870	14.69
0.25	9,790	13.12
0.30	8,420	11.53
841 RPM	AFR	0.71
Static Pressure	Airflow	Efficiency
0.00	11,820	26.80
0.05	11,100	23.77
0.10	10,420	21.53
0.15	9,490	19.09
0.20	8,190	16.35
0.25	6,090	12.82
0.30	3,900	8.02
721 RPM	AFR	0.42
Static Pressure	Airflow	Efficiency
0.00	9,970	35.35
0.05	9,110	30.37
0.10	8,080	25.49
0.15	6,560	20.76
0.20	4,120	13.55
0.25	2,120	6.44
602 RPM	AFR	N/A
Static Pressure	Airflow	Efficiency
0.00	8,080	45.91
0.05	6,930	37.46
0.10	5,090	27.51
0.15	2,540	13.37

**54" COMMANDER
ROLLSEAL® SHUTTER**

*230 VAC 60 Hz
Single Phase Power*
Bess Lab Test 18576

708 RPM	AFR	0.89
Static Pressure	Airflow	Efficiency
0.00	36,500	19.22
0.05	35,200	17.60
0.10	34,100	16.51
0.15	32,900	15.24
0.20	31,400	14.06
0.25	30,100	13.12
0.30	28,500	12.12
0.35	26,800	11.13
0.40	25,000	10.20
0.45	22,500	9.11
0.50	19,100	7.85
693 RPM	AFR	0.88
Static Pressure	Airflow	Efficiency
0.00	35,600	19.79
0.05	34,600	18.57
0.10	33,400	17.15
0.15	32,000	15.83
0.20	30,600	14.66
0.25	29,000	13.48
0.30	27,200	12.28
617 RPM	AFR	0.85
Static Pressure	Airflow	Efficiency
0.00	32,300	25.78
0.05	31,900	24.06
0.10	30,300	21.64
0.15	28,800	19.70
0.20	27,200	17.94
0.25	25,200	16.09
0.30	23,200	14.47
554 RPM	AFR	0.79
Static Pressure	Airflow	Efficiency
0.00	28,900	32.15
0.05	27,400	28.45
0.10	25,600	25.00
0.15	23,700	22.19
0.20	21,700	19.51
0.25	19,000	16.64
0.30	15,100	13.33
425 RPM	AFR	0.40
Static Pressure	Airflow	Efficiency
0.00	22,200	54.55
0.05	20,000	43.86
0.10	17,300	35.31
0.15	14,300	27.98
0.20	7,900	15.55

**54" COMMANDER
PVC SHUTTER**

*230 VAC 60 Hz
Single Phase Power*
Bess Lab Test 18575

708 RPM	AFR	0.89
Static Pressure	Airflow	Efficiency
0.00	35,200	17.90
0.05	33,900	16.49
0.10	32,700	15.34
0.15	31,500	14.26
0.20	30,300	13.35
0.25	28,800	12.30
0.30	27,100	11.33
0.35	25,300	10.42
0.40	23,300	9.48
0.45	20,600	8.34
0.50	15,900	6.62
693 RPM	AFR	0.89
Static Pressure	Airflow	Efficiency
0.00	34,400	18.63
0.05	33,200	17.24
0.10	31,900	15.98
0.15	30,800	14.89
0.20	29,400	13.75
0.25	27,800	12.68
0.30	26,200	11.70
617 RPM	AFR	0.84
Static Pressure	Airflow	Efficiency
0.00	30,700	23.45
0.05	29,500	21.53
0.10	28,100	19.58
0.15	26,600	17.85
0.20	24,900	16.12
0.25	22,800	14.38
0.30	20,400	12.68
554 RPM	AFR	0.78
Static Pressure	Airflow	Efficiency
0.00	27,800	29.20
0.05	26,200	25.89
0.10	24,600	23.12
0.15	22,700	20.51
0.20	20,500	18.00
0.25	17,100	14.72
0.30	11,900	10.37
422 RPM	AFR	0.32
Static Pressure	Airflow	Efficiency
0.00	20,800	47.06
0.05	18,800	39.09
0.10	16,000	31.62
0.15	10,500	20.92
0.20	6,000	10.93



PERFORMER & COMPETITOR FANS

Durable, Efficient and Reliable

The success of the modern facility depends on many issues of which longevity, efficiency and performance of the ventilation fans are a substantial part.

PERFORMER SERIES FANS

AP Performer series fans are available in a wide range of sizes, from 12" to 50" diameter, to accommodate most ventilation requirements. 12" to 36" diameter Performer series fans include direct drive, variable speed motors for efficient operation and minimal maintenance. A lifetime warranted composite fiberglass-blend blade won't corrode and is carefully balanced for maximum performance.



Performer Direct Drive

Unlike fans that use a smaller 48 frame motor, Performer direct drive fans include the larger 56-frame motor providing higher performance while allowing for much cooler motor temperatures on variable speed applications. Performer direct drive fan motors include a full 3 year warranty.



Performer Belt Drive

Includes heavy duty 56-frame TEAO motors, 1" drive train (allowing for larger pillow block bearings and enhanced longevity), automatic belt tensioner, and large diameter pulleys with greasable pillow block bearings to promote greater belt wrap and extended life.



Shown with optional fiberglass discharge cone.

COMPETITOR SERIES FANS

Available in up to 54" models, harnessed with high efficiency motors, and capable of moving up to 30,000 cubic feet of air per minute, AP's Competitor series fans are the airflow champions. Competitor fans are available in 24" direct drive, variable speed models or 54" belt drive, single-speed models. Long lasting stainless steel props and durable fiberglass housings make Competitor fans a reliable choice for high airflow applications.



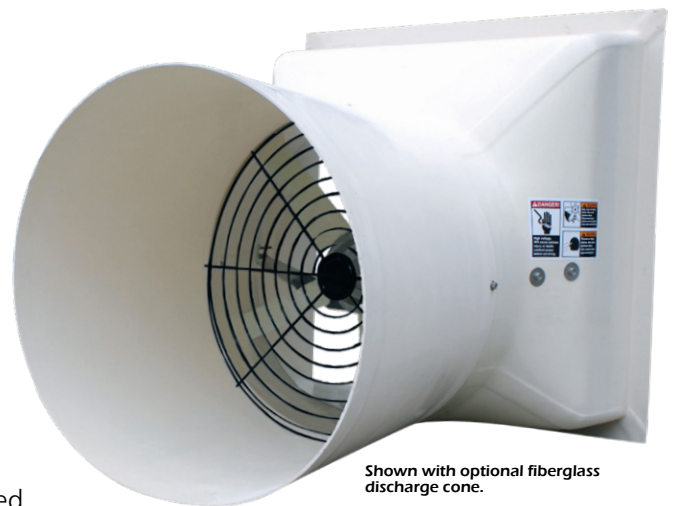
Competitor Direct Drive

Direct drive Competitor series fans feature high efficiency 1/3 HP motors and durable, fiber reinforced nylon propellers. A five bladed propeller configuration provides for optimal air output while producing minimal operational load on the motor.



Competitor Belt Drive

Includes a high performance stainless steel prop, 1.75 HP motor, 1" drive train (allows for larger pillow block bearings enhancing longevity), automatic belt tensioner, and large diameter pulleys with greasable pillow block bearings promote greater belt wrap and extended life.



Shown with optional fiberglass discharge cone.



To be a top performer in today's marketplace, the modern pork producer needs a competitive edge.



Performer and Competitor fans feature durable and aerodynamic fiberglass housings with stainless steel mounting hardware for corrosion resistance.



Heavy duty fan guards with baked-on finish provide additional protection from inclement weather



For lasting durability, AP utilizes all aluminum motor mounts constructed of heavy gauge materials



Standard white PVC* shutters are available with plastic rod hinges

*Optional aluminum shutter available for 12" to 36" and 54" fans with optional motor operator where required.



PERFORMER SERIES FANS TECHNICAL DATA

SIZE	DRIVE	SPEED	HP	PHASE	VOLTAGE	FREQ.	SF	FULL LOAD AMPS	MOTOR RPM
APP-12F	Direct	Variable	1/4	1	115/230	50/60	1	3.0/1.5	1725
APP-14F	Direct	Variable	1/4	1	115/230	50/60	1	3.0/1.5	1725
APP-14FC	Direct	Variable	1/4	1	115/230	50/60	1	3.0/1.5	1725
APP-18	Direct	Variable	1/3	1	115/230	50/60	1	3.8/1.9	1725
APP-18FC	Direct	Variable	1/3	1	115/230	50/60	1	3.8/1.9	1725
APP-24	Direct	Variable	1/3	1	115/230	50/60	1	3.8/2.3	1100
APP-24FC	Direct	Variable	1/3	1	115/230	50/60	1	3.8/2.3	1100
APP-36F	Direct	Variable	1/2	1	115/230	50/60	1	6.2/3.1	850
APP-36FC	Direct	Variable	1/2	1	115/230	50/60	1	6.2/3.1	850
APPB-50C	Belt	Single	1 1/3	1	115/230	60	1	12.4/6.2	1725

COMPETITOR SERIES FANS TECHNICAL DATA

SIZE	DRIVE	SPEED	HP	PHASE	VOLTAGE	FREQ.	SF	FULL LOAD AMPS	MOTOR RPM
CS24C1	Direct	Variable	1/3	1	115/230	60	1	3.9/2.0	1100
CS241-NC	Direct	Variable	1/3	1	115/230	60	1	3.9/2.0	1100
CS24PF90	Direct	Variable	1/3	1	115/230	60	1	3.9/2.0	1100
CS54C1-P	Belt	Single	1 1/2	1	115/230	60	1.5	16.0/8.0	1725
CS54C3-P	Belt	Single	1 3/4	3	208-230/460	50/60	1	4.9-5.0/3.0	1725
CS54C1-E	Belt	Single	1 1/2	1	115/230	60	1.5	16.0/8.0	1725
CS541-NC	Belt	Single	1 1/2	1	115/230	60	1.5	16.0/8.0	1725
CS543-NC	Belt	Single	1 3/4	3	208-230/460	50/60	1	4.9-5.0/3.0	1725

PIT & SPECIALTY FANS

Whether winter or summer, your livestock needs maximum comfort to achieve optimum results. AP's wide selection of fans can improve upon marginal environments. Be it high-powered cooling, gentle circulation, or something in between, look to AP for a cost-saving solution.



COMPETITOR PIT FANS

Easy cleaning and low maintenance, Competitor series variable speed pit fans are ideal for minimum ventilation needs and removing hazardous pit gases. Choose from the Competitor 24" wall fan combined with a durable plastic pit transition or an economical one piece pit unit with external shutter.



BASKET FANS

Basket fans are available in 24" and 36" single speed and variable speed models. Basket fans feature heavy duty fan guards with baked on finish, high efficiency motors and propellers, and versatile mounting options that adapt to most applications.



DUCT FANS

Ideal for low air requirements of small farrowing or nursery rooms, AP's duct fans are a very cost effective solution. These fans deliver more precise amounts of air under windy conditions than larger fans. The duct will adapt to existing 10" PVC pump out ports. 10" PVC pipe extensions and elbows for duct fans are available.

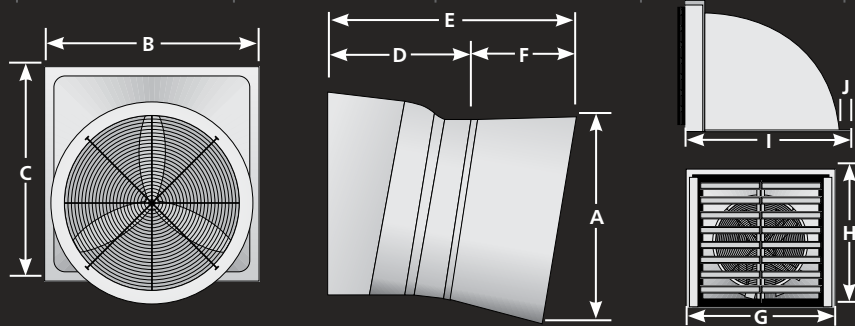


Dimensions & Performance

FAN DIMENSIONS

MODEL	ROUGH OPENING	(A) CONE DIA.	(B) WIDTH	(C) HEIGHT	(D) LENGTH LESS CONE	(E) LENGTH W/ CONE	(F) CONE LENGTH
APP-12F	17.0 x 17.0	N/A	20.140"	19.860"	25.50	N/A	N/A
APP-14F	20.0 x 20.0	20.500	22.50"	22.25"	21.87	42.625	20.750
APP-18F	25.5 W x 26.0 T	25.250	28.375"	28.125"	22.75	44.500	21.750
APP-24F	34.5 X 34.5	30.250	37.625"	37.625"	21.37	42.630	21.250
APP-36F	44.5 X 44.5	44.375	46.75"	46.75"	27.75	54.500	26.750
APPB-36	44.5 X 44.5	44.375	46.75"	46.75"	30.25	56.000	27.000
APPB-50	56 x 56	56.000	58.445"	58.445"	34.50	58.500	24.000
CS24	34.5 X 34.5	30.000	37.625"	37.625"	19.50	41.000	21.500
CS54	58.0 W X 60.5 T	64.750	62.125"	64.438"	27.00	57.500	30.500

FAN	ROUGH OPENING	(G) WIDTH	(H) HEIGHT	(I) BASE DEPTH	(J) FLANGE EXT.
CS24PF APP-24PF APP-18PF	24.0 x 32.0	37.25"	35.313"	39.625"	2.25"



MODEL	PROP. DIA.	MOTOR H.P.	NOMINAL RPM	CFM 0" SP	CFM .05" SP	CFM .1" SP	CFM/WATT	ROUGH OPENING WIDTH (IN.)	ROUGH OPENING HEIGHT (IN.)
BASKET FANS									
BSK24	24"	1/3	1100	6029	N/A	N/A	15.2 @ .00SP	N/A	N/A
BSK36A	36"	1/2	850	10900	N/A	N/A	19.3 @ .00SP	N/A	N/A

DUCT FANS*

DF-10	10	1/6	3400	1015	989	962	6.1 @ .05SP	N/A	N/A
-------	----	-----	------	------	-----	-----	-------------	-----	-----

*Tested by Bess Laboratories, University of Illinois. Performance shown with guards and shutters in place (except with DF-10 where shutters do not apply).

PERFORMER & COMPETITOR FAN PERFORMANCE

MODEL	0.00" SP		0.05" SP		0.10" SP		0.15" SP		0.20" SP		AFR
	CFM	CFM/Watt	CFM	CFM/Watt	CFM	CFM/Watt	CFM	CFM/Watt	CFM	CFM/Watt	
APP-12F	1446	8.8	1331	7.8	1222	7.0	1092	6.1	850	5.1	0.64
APP-14F	2487	7.8	2385	7.3	2270	7.0	2150	6.5	2003	6.1	0.84
APP-14FC	2830	9.6	2710	9.0	2610	8.5	2500	8.0	2370	7.4	0.87
APP-18	4387	9.6	4181	9.0	3964	8.5	3792	8.0	3568	7.5	0.85
APP-18FC	5090	11.8	4890	11.0	4720	10.6	4470	9.7	4250	9.0	0.87
APP-24	6442	14.7	5928	13.3	5463	12.1	4990	11.0	4495	9.8	0.76
APP-24FC	7470	18.0	7010	16.7	6550	15.0	6090	13.6	5550	12.3	0.79
APP-36	11113	16.6	10297	15.0	9392	13.0	8328	11.5	7131	9.7	0.69
APP-36FC	12290	22.2	11310	19.6	10360	17.1	9220	14.8	7710	11.9	0.68
APPB-50C	24033	24.4	23228	22.7	21615	20.5	19188	17.7	17419	15.6	0.75
CS24C1	6520	18.9	6160	16.9	5800	15.4	5350	13.7	4880	12.4	0.79
CS241-NC	5770	15.3	5440	14.3	5090	13.1	4680	11.9	4230	10.9	0.77
CS54C1-P	N/A	N/A	30000	20.2	28200	18.3	26300	16.5	23900	14.7	0.80
CS54C3-P	N/A	N/A	30500	19.8	28500	17.8	26700	16.0	24300	14.2	0.80
CS54C1-E	N/A	N/A	24161	27.3	21746	23.5	18917	19.8	14966	15.4	0.62
CS541-NC	27200	18.9	25700	17.4	24100	15.9	22400	14.6	20400	13.1	0.79
CS543-NC	27000	18.4	25500	17.0	23900	15.6	22200	14.3	20100	12.8	0.79
CS24PF90	4065	11.1	3607	9.8	3132	8.4	2531	6.8	1951	5.3	0.54
APP-24PF	4580	9.3	4158	8.4	3749	7.5	3289	6.8	2523	5.6	.607

All fan performance numbers based on 60 Hz operation. Specifications subject to change without notice.

PROVEN & DEPENDABLE™

Look to AP for the finest in fans and accessories. Choose from a large selection of cost saving options to enhance your ventilation system.



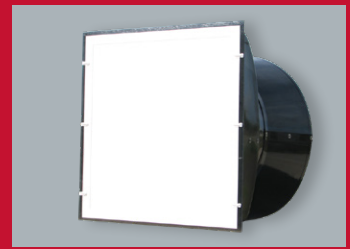
All-weather fan hoods for 14" to 24" fans save on costs and improve fan efficiency particularly in windy or cold weather conditions.



Transit tubs are available to fit 8" to 24" fans. Transit tubs are ideal for applications where pump outs are not required.



Wind deflector cones can be easily adapted to new or existing fans to improve the efficiency and performance of the total ventilation system.



Designed for the coldest weather, these insulated panels seal out even the most extreme winter conditions.



Where pump outs are required, pit transitions are available for Competitor and Performer 12" - 24" fans.



Quick-Lock kits simplify cleaning and maintenance. Stainless steel pit transitions are also available for 14" to 24" fans where pump outs are not required and sidewall curtains are necessary.



Made of durable fiberglass, AP's optional discharge cones boost fan output by as much as 15%. The 14"-36" fiberglass cones are provided as a one-piece unit and 50" & 54" in an easy to ship and assemble 3 or 4-piece units.



Shutters can provide an easy and affordable means of controlling incoming light and building climate. The true airfoil design of the shutter blades allows for very little performance loss in airflow. Low maintenance and easy to clean.



ROLLSEAL® SHUTTERS

The 2-ply flexible RollSeal shutter provides an excellent source of insulation with a positive seal for greater efficiency. The patented sealing system provides excellent wind load resistance.



AUTOMATED PRODUCTION SYSTEMS
1004 E. Illinois St. Assumption, IL 62510 USA
Tel: 217-226-4449 Fax: 217-226-3540
Int'l Tel: 217-226-4401
Tech Support: 712-239-1011

AGCO AP is a part of GSI, a worldwide Brand of AGCO | AP-55 07/19
Your Agriculture Company Copyright © 2019 by AGCO Corporation | Printed in USA | Due to continual improvements, AP reserves the right to change designs and specifications without notice.



For more information on AP's many products and services, contact your local AP representative or visit us online at:
www.automatedproduction.com